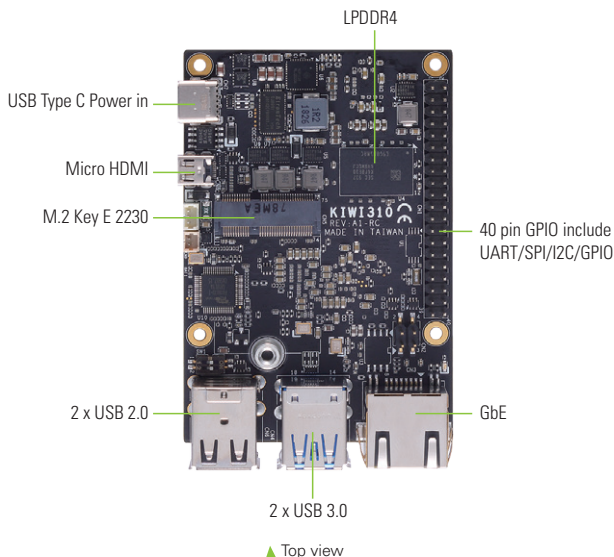


KIWI310

1.8" SBC with Intel® Celeron® Processor N3350, Micro HDMI, 1 GbE LAN, 2 USB3.0 and 40-pin GPIO

Features

- Intel® Celeron® processor N3350
- On-board LPDDR4 for up to 8GB of memory
- 1 GbE LAN
- On-board eMMC for up to 64GB
- M.2 Key E



Core System

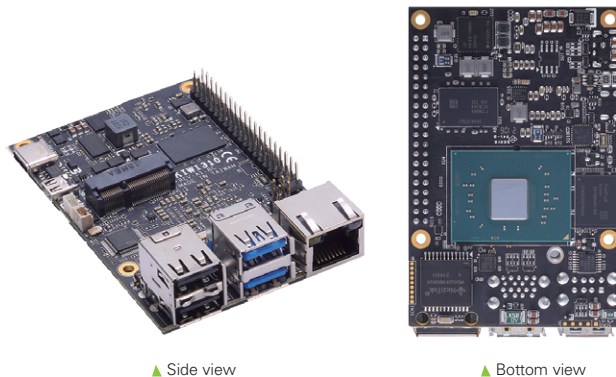
CPU	Intel® Celeron® processor N3350
System Memory	On-board LPDDR4, up to 8GB
Chipset	SoC integrated
BIOS	AMI
Storage	eMMC, up to 64GB
Watchdog Timer	255 levels, 1 to 255 sec
Expansion Interface	1 x M.2 Key E (USB2.0, PCIe) in 2230 40-pin GPIO includes UART, I ² C, SPI, GPIO
Battery Lithium	Lithium 3V/220 mAh
Power Input	USB PD (supports USB Type C PD 2.0, 9V/3A, 12V/3A, 15V/3A, 20V/3A)
Power Requirements	Intel® Celeron® N3350 @ 1.1 GHz 8GB LPDDR4 USB Type C PD 2.0, 9V/3A, 12V/3A, 15V/3A, 20V/3A
Dimensions	85mm × 56mm
Board Thickness	1.6 mm
Operating Temperature	0°C to +60°C (+32° F to 140° F)
Humidity	10% to 95% relative humidity, non-condensing

I/O

SATA	N/A
Hardware Monitoring	Detect CPU/system temperature and voltage
Ethernet	1 x 10/100/1000 Mbps Ethernet with REALTEK RTL8111; support Wake-on-LAN, PXE Boot ROM
USB	2 x USB 2.0 2 x USB 3.0
TPM	N/A

Display

Chipset	Intel® integrated Gen9 graphic engine
Memory Size	Share system memory
Display Interface	1 x Micro HDMI



Packing List

Accessories

TBD

Ordering Information

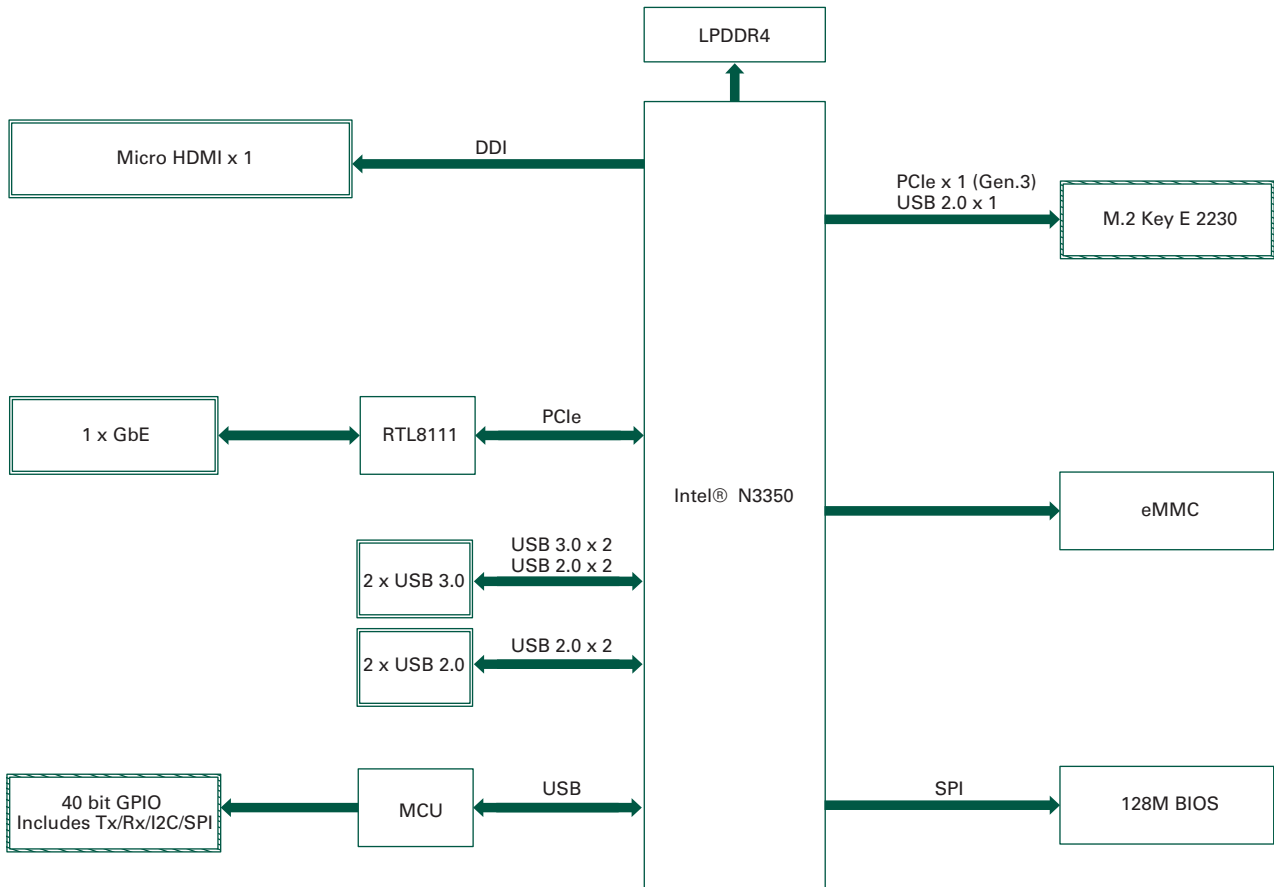
Standard

KIWI310 (P/N: TBD)	1.8" SBC with Intel® Celeron® processor N3350 (1.1 - 2.4 GHz, 2MB cache, 6W), Micro HDMI, 1 GbE LAN, 2 USB 2.0, and 2 USB 3.0 (without heatsink)
--------------------	--

Optional

TBD	Heatsink for KIWI310
-----	----------------------

Block Diagram



- 1
- 2
- 3
- 4
- 5
- 6
- 7
- 8
- 9
- 10
- 11