

EMUC-F2S3

mPCIe to Dual Isolated CAN FD Module

HIGHLIGHT FEATURES

- Baud rate up to 5 / 10 / 20 / 50 / 100 / 125 / 250 / 500 (Default) / 800 / 1000K
- Data rate up to 2 / 4 / 5Mbps (*Notes)
- CAN2.0 up to 7,800 frame/s (RX baud rate 1M, EID, 8byte data)
- CANFD up to 6,000 frame/s (RX baud rate 1M, data rate 5M, EID, 64byte data)
- Supports CAN message acceptance filter, listen-only mode
- Keeps configuration after hardware reboot
- Additional driver to support Linux SocketCAN
- Termination resistor enabled/disabled by jumper
- Complaint with ISO 11898-2 : 2016 (CAN FD)
- Complaint with EN61000-4-2 (ESD) Air-15kV, Contact-8kV
- Complies with IEC 60950-1 : 2005 + A1 : 2009 + A2 : 2013 2.5kV HiPOT protection
- Industrial temperature (-40°C to 85°C) support

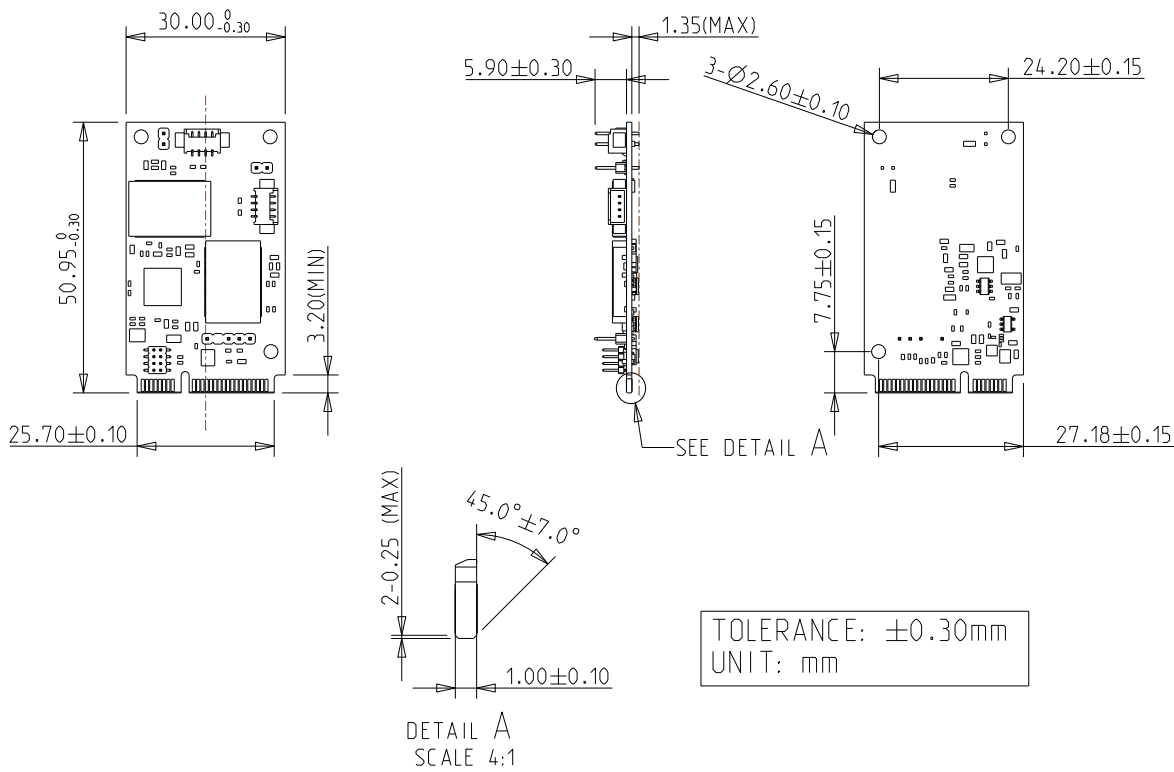
SPECIFICATIONS

Model Name	EMUC-F2S3
Module Type	mPCIe to Dual Isolated CAN FD Module
Form Factor	mPCIe
Function	CAN FD
Input I/F	USB 2.0 High Speed (480Mbps)
Output I/F	CAN FD
Output Port	2
Output Connector	DB-9
Max. Power Consumption	2.115W (5V, 423mA ; 3.3V, 641mA)
Dimension (W x L x H/mm)	30 x 50.9 x 8.35
Temperature	Operation : W/T -40°C ~ 85°C (Ta) Storage : -55°C ~ 95°C (Ta)
Vibration	5G@[7~2000Hz]
Shock	50G@0.5ms
OS Support	Windows : 10 (32 / 64bit) and above version Linux : Kernel 2.6 and above (Native CDC-ACM driver), Kernel 2.6.38 and above (SocketCAN Driver), 32 / 64bit
Warranty	3 Years
Notes	*Data rate limitation : <ul style="list-style-type: none"> • 2M supports normal rate 100K and above. • 4M / 5M supports normal rate 250K and above.

ORDER INFO.

P/N	Description
EMUC-F2S3-W1	mPCIe to Dual Isolated CAN FD Module

MECHANICAL DRAWING



PIN DEFINE

CAN DB9 Connector Pin Define		CAN Connector Pin Define	
1	NC	1	NC
2	CAN-L	2	CAN-H
3	GND	3	CAN-L
4	NC	4	GND
5	NC	CAN Connector Pin Define	
6	NC	1	5V
7	CAN-H	2	D-
8	NC	3	D+
9	NC	4	GND

HQ (Taiwan) T +886-2-7703-3000 / E sales@innodisk.com

CN T +86-755-2167-3689 / E sales_cn@innodisk.com

US T +1-510-770-9421 / E usasales@innodisk.com

EU T +31-40-3045-400 / E eusales@innodisk.com

JP T +81-3-6667-0161 / E jp_sales@innodisk.com

innodisk