

EAI-1200

Hailo-8™ M.2 AI Acceleration Module

Preliminary



CE FCC

Features

- 26 TOPS delivered by Hailo-8 VPU
- M.2 2242 w/ optional 2280 extensions
- -20~60°C operating temp. w/ optional heatsink
- Typical 2.5W Low power consumption
- Rich AI Development Toolkits including Runtime SDK, AI Model Library, Model Convert, and Inference Benchmark

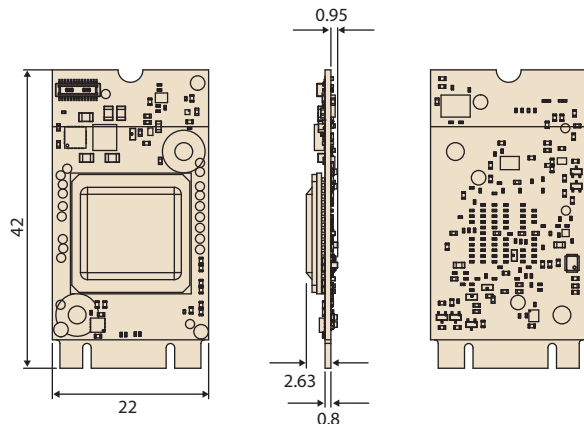
Specifications

		EAI-1200-00A1
Processor	AI Accelerator	One Hailo-8™ VPU
	INT8 Peak Performance	26 TOPS
Signal Interface	PCI Express	PCIe Gen3 x2 (up to 16 Gbs)
Power	Power Consumption	Typical 2.5W, Max. 5W
Operating	Temperature	-20 ~ 60°C, with 0.7m/s air flow*
Environment	Humidity	40 °C @ 85% relative humidity (non-condensing)
Thermal Solution	Cooling	Heatsink (option)
	Form Factor	M.2 2242 (Key B+M)
Physical	Dimensions	22mm x 42mm x 0.8mm
	Power Range	3.3V±5%
	Windows	Windows 10 64bit
Software Support	Linux	Ubuntu 22.04 LTS
	Framework	TensorFlow, TensorFlow Lite, ONNX, Keras, Pytorch
System Support	CPU platform	X86 or ARM based

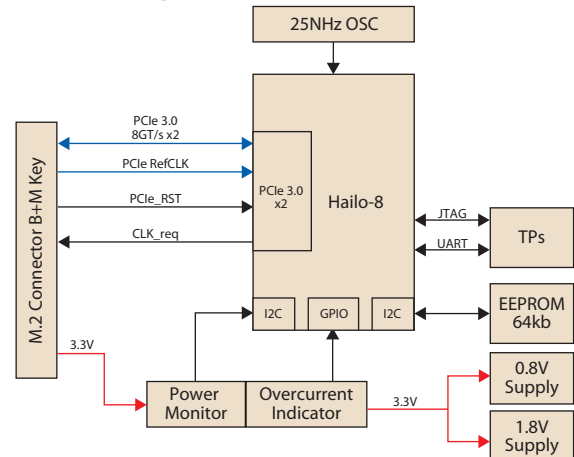
*Note: According to operating temperature tests performed with EAI-1200 optional heatsink

Dimensions

Unit: mm



Block Diagram



Edge AI SDK

— To create a reliable & efficient development environment —

Effortlessly run AI inference



Inference Benchmark Tool

- No-code GUI utility
- Validated vision AI models
- Real-time workload monitoring

Remotely manage AI updates at scale



Inference Deployment Platform

- Visualized central MGMT platform
- OTA update for AI containers/apps
- RESTful APIs for MLOps integration

Efficiently start to implement AI



Inference Runtime SDK

- Compatible ubuntu & drivers
- Essential & compatible SDKs
- Single installer for drivers & SDKs

Effectively get instant services



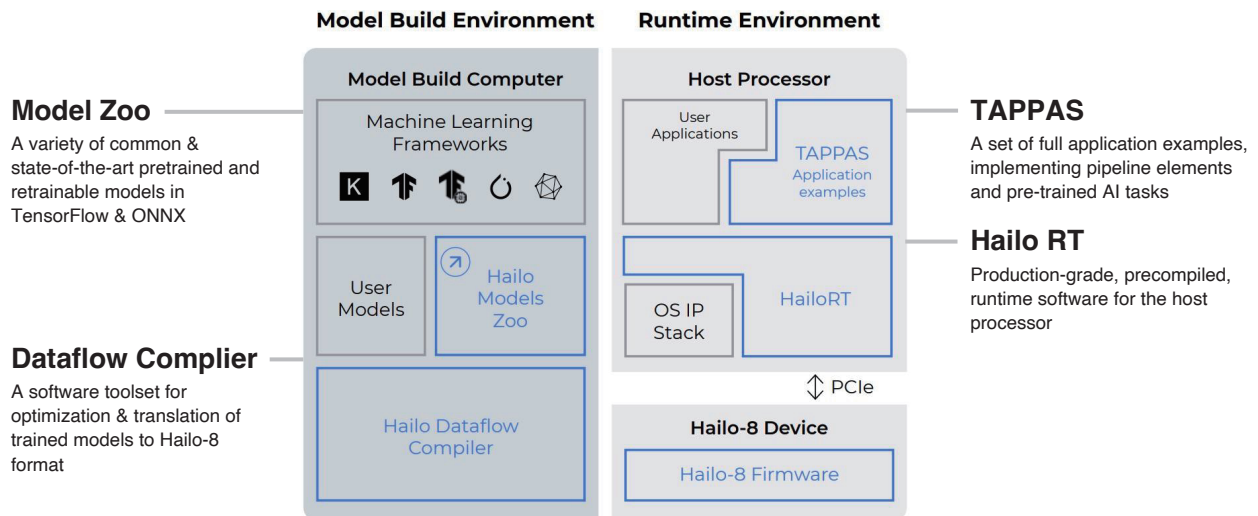
Global Customer Support

- System reliability certification
- Inference computing enablement
- Edge-to-cloud scalability collaboration

Find More Information about [Edge AI SDK](#)

Hailo AI Software Suite

— To easily build model, convert model, implement pre-trained example —



Find More Information about [Hailo AI Software Suite](#)

Ordering Information

Part Number	Description
EAI-1200-00A1	M.2 2242 Key B+M Edge AI acceleration module with One Hailo-8 VPU

Packing List

Part Number	Description
EAI-1200-00A1	1 x EAI-1200 card 1 x Startup manual, China RoHS

Optional items

Part Number	Description
xxx-xxxxx (TBC)	EAI-1200 Heatsink
xxx-xxxxx (TBC)	EAI-1200 Extension Bracket for 2280 Dimensions